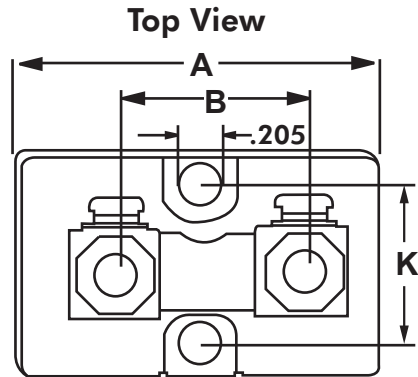
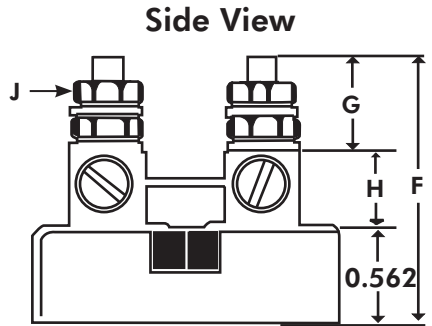


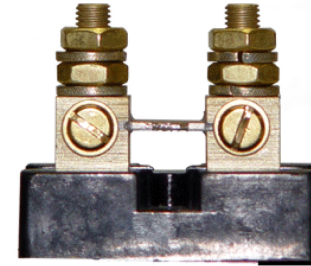
S-50, 100 Amp Shunt

The S-50 is a low resistance shunt used to measure currents. As current passes through the shunt a small voltage is generated on the signal lugs.



**Measurements
are in inches**

A: 2.0
 B: 1.0
 C: 1.25
 D: 0.437
 F: 1.688
 G: 0.625
 H: 0.5
 J: 1/4-28
 K: 0.89



Specifications

Signal Output: 50 mV @ 50 Amps
 Tolerance: +/- 0.25%
 Temperature Coefficient : +/- 20 ppm/°C
 Maximum Continuous Current: 70 amps
 Maximum Pulse Current: 2 Seconds @ 200 amps
 Operating Temperature Range: -50°C to 150°C
 Base Material: High Strength Phenolic
 Terminal Block Material: Brass

ELECTRONICS INTERNATIONAL INC.

DATE: 6/13/93	DRAWN BY: M.S.	APPRVEDBY: R.R.
SCALE: None		REV: New
TOLERANCE: N/A		P/N:
MATERIAL: N/A		D/N:
NEXT ASSEM: None		0613932
TITLE: S-50, 100 Amp Shunt		