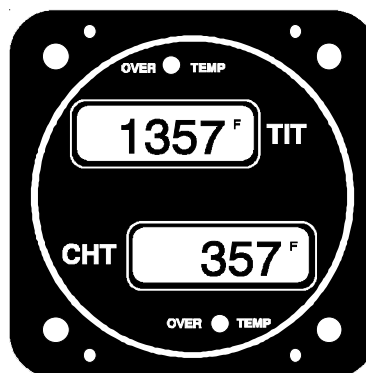
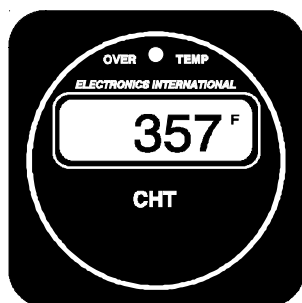


***Primary TIT and CHT Instruments
and
Remote Switches
Operating and Installation Instructions***

OII 091294

9/12/94 *

You must read this manual before installing or operating the instrument. This manual contains warranty and other information that may affect your decision to install this product and/or the safety of your aircraft.



(This manual covers 12 instruments and remote switches)

Model: _____

S/N: _____

(Supersedes OI 101461, II 121161, II 110361 and II 111361)
(FAA Approved)



Electronics International Inc. ®

63296 Powell Butte Hwy • Bend, OR 97701 • (541) 318-6060 • Buy-EI.com 

Important Notice

******* MUST READ *******

If you think it is not important to read this manual, you're wrong! This manual contains important installation information that may affect the safety of your aircraft, delay your installation or affect the operation of your instrument. You Must read this manual prior to installing your instrument. Any deviation from these installation instructions is the sole responsibility of the installer/pilot and may render the STC invalid.

Read the Warranty / Agreement. There is information in the Warranty / Agreement that may alter your decision to install this product. **If you do not accept the terms of the Warranty / Agreement, do not install this product.** This product may be returned for a refund. Contact Electronics International inc. for details.

Check that the instrument make and model marked on the side of the instrument and on the invoice are correct before starting the installation.

Check that the limit information on this instrument matches the published limits in your aircraft's P.O.H. or Flight Manual. Also, this information may be listed in the T.C. Data Sheet for your aircraft. Any AD's and/or STC's may set forth additional limitations on the operation of your engine. **It is the aircraft owner's and/or installer's responsibility to determine proper instrument calibration and range markings for your aircraft.**

It is possible for any instrument to fail thereby displaying inaccurate high, low or jumpy readings. Therefore, you must be able to recognize an instrument failure and you must be proficient in operating your aircraft safely in spite of an instrument failure. If you do not have this knowledge, contact the FAA or a local flight instructor for training.

The ability for this product to detect a problem is directly related to the pilots ability to program proper limits and the pilots interpretation and observation skills.

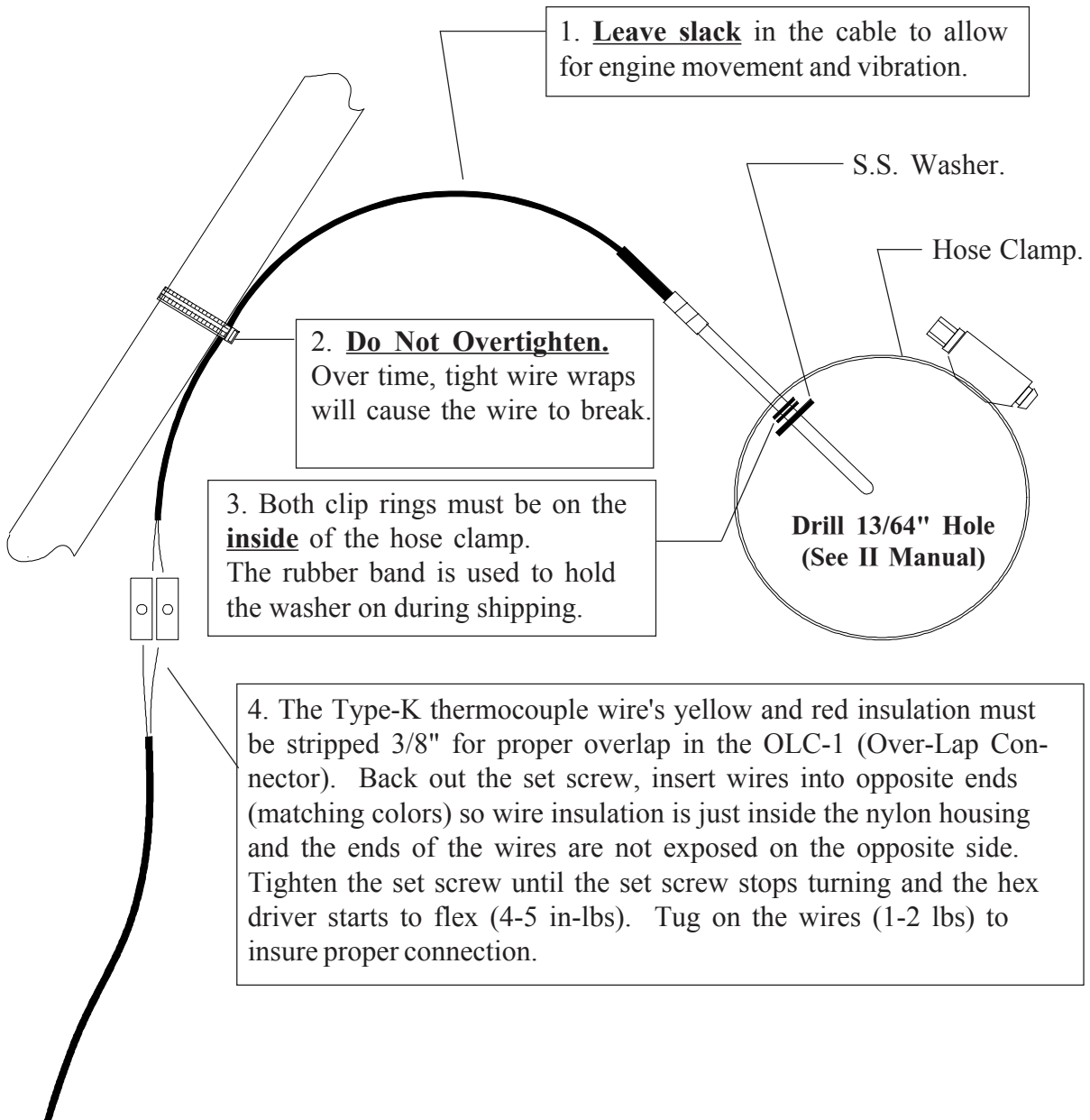
The pilot **must** understand the operation of this product before flying the aircraft. Do not allow anyone to operate the aircraft that does not know the operation of this product. **Keep the Operating Manual in the aircraft at all times.**

P-110 Standard EGT Probe

1218121

Important Installation Information

All steps must be read before installing a probe.

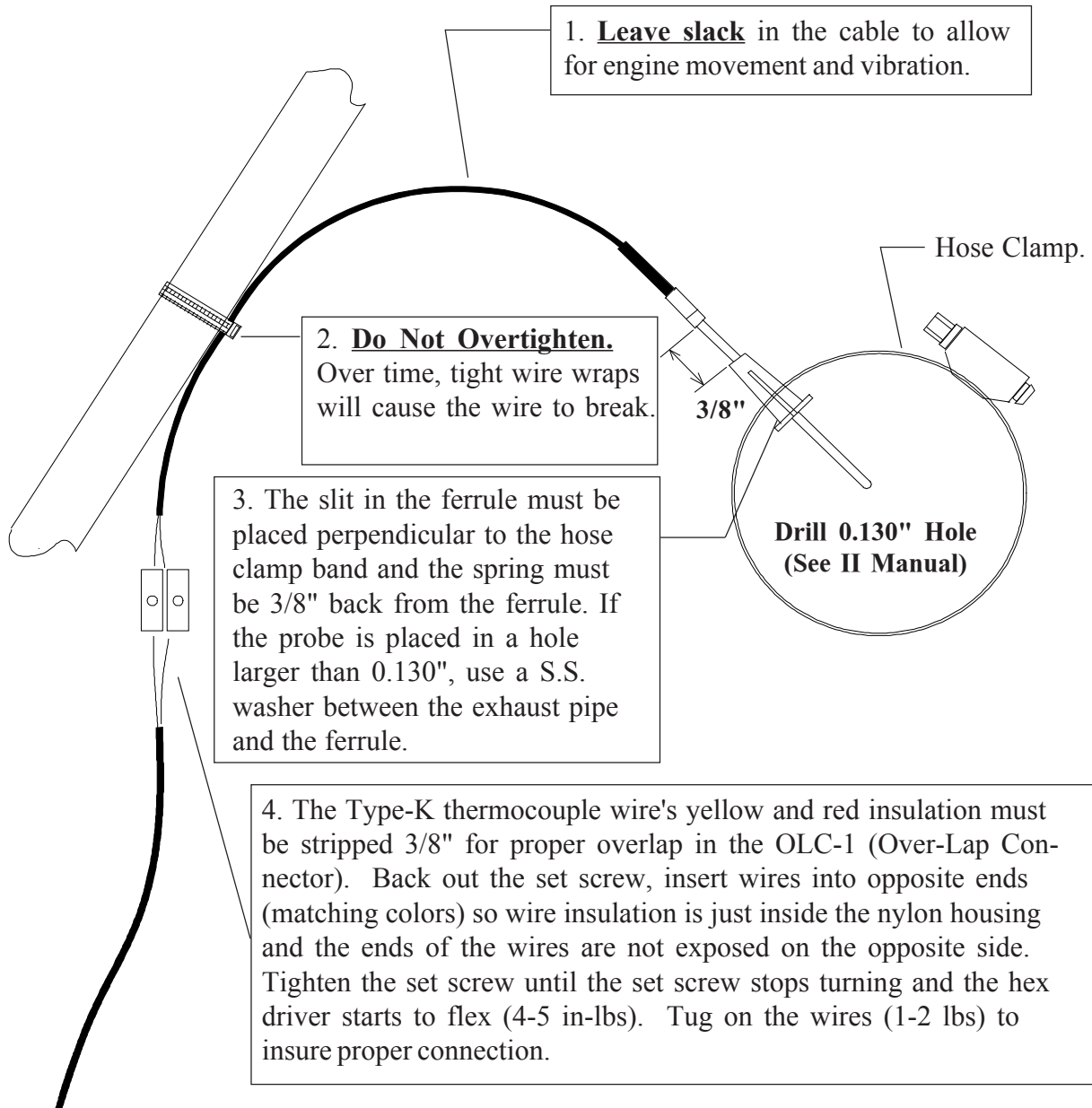


P-110 Fast Response EGT Probe

Important Installation Information

1218122

All steps must be read before installing a probe.



Contents

Warranty	2
Operating Instructions	3
Features	3
TIT	4
EGTs	6
CHTs	7
Installation Instructions	10
1. Important Information and Initial Check Out	10
2. CHT Probe Installation	11
3. TIT Probe Installation	11
4. EGT Probe Installation	11
5. Route the Extension Cables	12
6. Hook Up Connecting Wires	13
7. Connect and Install the Instrument and/or Remote Switch	13
8. System Ground Test	13
Troubleshooting Instructions	14
1. Instrument Check Out	14
2. Probe Check Out	15
3. Extension Cable Check Out	15
Specifications and Operating Features	16
Instrument Wiring Diagram	17
Remote Switch Connected to a Primary TIT Channel	18
Remote Switch Connected to a Primary CHT Channel	19
STC Information	20

Warranty / Agreement

Electronics International Inc. warrants this instrument and system components to be free from defects in materials and workmanship for a period of one year from the user invoice date. Electronics International Inc. will repair or replace any item under the terms of this Warranty provided the item is returned to the factory prepaid.

1. This Warranty shall not apply to any product that has been repaired or altered by any person other than Electronics International Inc., or that has been subjected to misuse, accident, incorrect wiring, negligence, improper or unprofessional assembly or improper installation by any person. **This warranty does not cover any reimbursement for any person's time for installation, removal, assembly or repair.** Electronics International retains the right to determine the reason or cause for warranty repair.
2. This warranty does not extend to any machine, vehicle, boat, aircraft or any other device to which the Electronics International Inc. product may be connected, attached, interconnected or used in conjunction with in any way.
3. The obligation assumed by Electronics International Inc. under this warranty is limited to repair, replacement or refund of the product, at the sole discretion of Electronics International Inc.
4. Electronics International Inc. is not liable for expenses incurred by the customer or installer due to factory updates, modifications, improvements, upgrades, changes, or any other alterations to the product that may affect the form, fit, function or operation of the product.
5. Personal injury or property damage do to misinterpretation or lack of understanding this product is solely the pilots responsibility. The pilot **must** understand the operation of this product before flying the aircraft. Do not allow anyone to operate the aircraft that does not know the operation of this product. Keep the Operating Manual in the aircraft at all times.
6. E. I. Inc. is not responsible for shipping charges or damages incurred under this Warranty.
7. No representative is authorized to assume any other liability for Electronics International Inc. in connection with the sale of Electronics International Inc. products.
8. **If you do not agree to and accept the terms of this warranty, you may return the product for a refund.**

This Warranty is made only to the original user. **THIS WARRANTY IS IN LIEU OF ALL OTHER WARRANTIES OR OBLIGATIONS: EXPRESS OR IMPLIED. MANUFACTURER EXPRESSLY DISCLAIMS ALL IMPLIED WARRANTIES OF MERCHANTABILITY OR FITNESS FOR A PARTICULAR PURPOSE. PURCHASER AGREES THAT IN NO EVENT SHALL MANUFACTURER BE LIABLE FOR SPECIAL, INCIDENTAL OR CONSEQUENTIAL DAMAGES, INCLUDING LOST PROFITS OR LOSS OF USE OR OTHER ECONOMIC LOSS. EXCEPT AS EXPRESSLY PROVIDED HEREIN, MANUFACTURER DISCLAIMS ALL OTHER LIABILITY TO PURCHASER OR ANY OTHER PERSON IN CONNECTION WITH THE USE OR PERFORMANCE OF MANUFACTURER'S PRODUCTS, INCLUDING SPECIFICALLY LIABILITY IN TORT.**

OPERATING INSTRUCTIONS

Features

1. Instruments

The Electronics International line of primary TIT/CHT instruments offer the following features:

A. Digital Display - The digital display allows you to read absolute temperatures at a glance. It does not require interpretation of dials or tic marks. In a short period of time you will become familiar with the normal operating temperatures of your engine. Abnormal temperatures will be easy to spot. The digital display is easily viewable in direct sunlight. If the instrument backlight has been permanently powered up (as recommended), the digital display will be easier to see during low ambient light conditions and at night.

B. Over Temperature Warning Light - Over the digital display is a warning light that will turn on any time the temperature exceeds the maximum operating temperature limit indicated on the front of the instrument. Also, there is a control line that may be used to turn on Electronics International's AL-1 remote mounted warning light. During power-up the warning lights will flash. This indicates the light and over-temp circuitry is operating properly.

C. 1 Degree Resolution - The digital display resolves temperatures to 1 degree. This allows you to interpret trends quickly. This can be very helpful in diagnosing problems and leaning your engine. Also, any unit may be ordered to display in degrees F or degrees C.

D. 1/2% Accuracy - Electronics International Instruments are not affected by shake, shock, vibration, tilt, stick-slip, bearing wear, spring wear, lead resistance, probe resistance, magnetic fields or the many other factors that plague analog instrument accuracy. All E.I. instruments are temperature compensated to read cabin temperature when a probe is disconnected. E.I. instruments should never need recalibration.

E. Flexibility - Electronics International instruments are compatible with any type K ungrounded probe. Lead resistance does not affect the accuracy of these instruments. You may use any length extension cable between the unit and the probe without affecting the accuracy of the instrument.

F. Upgradeable - Any single channel TIT and/or CHT unit may be upgraded to a full multi-channel analyzer by simply adding a Primary Remote Switch to the system. The instruments, remote switches, extension cables and probes were designed in a modular fashion with slip-on connectors. This means a remote switch may be added to your existing system by simply mounting it into your instrument panel, installing the additional wires and probes and plugging it in. You do not have to buy a new system to upgrade to a full analyzer.

2. Primary Remote Switches

A. Used with a Primary TIT Instrument - A Primary Remote Switch may be connected to a TIT channel on any appropriate Electronics International Instrument. This gives the TIT instrument multi-channel EGT capability. Only the TIT or any EGT cylinder may be displayed on a Primary TIT instrument. The channel marked "Primary" on the remote switch is used to display TIT.

B. Used with a Primary CHT Instrument - A Primary Remote Switch may be connected to a CHT channel on any appropriate Electronics International Instrument. This gives the CHT instrument multi-channel CHT capability. Only CHT's may be displayed on a Primary CHT Instrument. The channel marked "Primary" on the remote switch is used to display the primary CHT cylinder (i.e., if cylinder number 3 is the primary CHT cylinder for your engine, cylinder 3 will be displayed on the CHT instrument when the remote switch is set to the channel marked "3" or the channel marked "Primary").

Note: When using a Primary Remote Switch, the switch must be left in the "Primary" position during flight.

TIT

1. Maximum Operation TIT Limit (Red Line)

Do not operate your engine above the Maximum Operating Temperature Limit as indicated on the front of this instrument. Operating above TIT Red Line can cause turbine housing and component failures, detonation or preignition (which will destroy engine and turbine components), loss of engine power, reduced turbocharger and engine life and can cause a fire hazard. It is essential to operate your engine within its TIT operating limits. Electronics International's TIT instruments give you three mechanisms to detect an over-temperature limit (Red Line) condition.

A. The Large Digital Display gives you a fast and very accurate indication of your current temperature condition. This instrument will display temperatures from ambient to 1999°F in 1°F increments. This also allows you to interpret rate and trend information at a glance.

B. This instrument incorporates an Over-Temperature Warning Light. This light will come on any time the TIT is above the Maximum Operating Temperature Limit as indicated on the front of this instrument. This light provides the advantage of catching your attention without your having to scan or interpret the display.

C. This instrument also comes with an External Warning Control Line. This line can be connected to an external light in a control panel or mounted in front of the pilot. This control line will turn on the external light any time the TIT exceeds the Maximum Operating Temperature Limit as indicated on the front of this instrument.

2. Using the TIT Instrument to Lean Your Engine

You will want to lean your engine in cruise. A rich running engine wastes fuel needlessly and tends to run on the rough side. This create vibration, which causes deterioration of engine accessories and engine mounts. Also, proper leaning at cruise and during descent means less spark plug fouling, longer life for the plugs, reduced maintenance costs and considerable fuel savings. Furthermore, good leaning techniques result in cleaner combustion chambers with fewer lead salt deposits on the pistons and exhaust valves. Under certain conditions, these deposits invite preignition and higher maintenance costs. Proper leaning at cruise during cool or cold weather aids in raising engine and oil temperatures to desirable minimums in order to evaporate the water and acids out of the oil. Water and acids attack the insides of an engine, causing rust and corrosion.

The TIT is a collection of the EGT's for all the cylinders. As you lean the engine, one cylinder will reach peak EGT before the others. As you continue to lean, the EGT for the leanest cylinder will decrease in temperature but the TIT will continue to increase. When the combined total of all the increasing cylinders equals all the decreasing cylinders, the TIT will reach peak. For this reason, using a TIT to lean an engine is not as desirable as using a multi-channel EGT instrument. But, if you must lean the engine using only the TIT, perform the following steps:

A. Rough Leaning: Adjust the mixture control from the full rich position to a leaner setting that results in a slight drop in engine RPM or to a setting near peak TIT, as dictated by experience. The mixture control should be left at this setting until the TIT stabilizes. It will take about 20 seconds for the temperatures to stabilize within 1°F. This lag is due to the combustion walls and piston domes increasing in temperature, which affect the combustion and exhaust gas temperatures. **To correctly lean an engine you must wait for the engine to thermally stabilize.** Less sensitive instruments will not pick up these subtle changes, which are important in leaning and diagnosing problems.

B. Precision Leaning: Again, start leaning, making only very small adjustments and waiting 3 to 5 seconds between adjustments. As you approach peak, the exhaust gas temperature will rise much slower until it starts to decrease. When this happens you have reached peak TIT. The 1°F resolution of the digital display will be invaluable in helping you precisely detect peak TIT. If your engine runs rough before peak TIT is reached, **note the temperature reading on the TIT instrument.** When an engine starts to run rough (not when it loses power, but actually runs rough) the leanest cylinder has gone past peak EGT by 30 to 50 degrees F. The leanest cylinder is misfiring causing the engine to run rough. From this point enrichen the mixture to obtain a 50 degrees F lower TIT from the noted temperature. This will set the leanest cylinder slightly on the rich side of peak EGT. The rest of the cylinders will be running richer than the leanest by an amount dictated by the temperature spread for your engine. With this method you can reasonably lean an engine with the TIT instrument.

For your engine, check the engine manufacturer's recommended leaning procedures. It is not recommended to lean near peak TIT for power settings above 75%. The richer mixture is needed to cool the combustion temperatures and keep the anti-knock capability of the fuel high enough to prevent detonation from occurring at the higher power settings.

EGTs

1. Using an EGT Analyzer to Lean Your Engine

To properly lean your engine, **using a multi-channel analyzer**, perform the following steps:

A. Rough Leaning: Select the hottest EGT cylinder. Adjust the mixture control from the full rich position to a leaner setting that results in a slight drop in engine RPM or to a setting near peak EGT, as dictated by experience. The mixture control should be left at this setting until the EGT's stabilize. It will take about 20 seconds for the temperatures to stabilize within 1°F. This lag is due to the combustion walls and piston domes increasing in temperature, which affect the combustion and exhaust gas temperatures. **To correctly lean an engine you must wait for the engine to thermally stabilize.** Less sensitive gauges will not pick up these subtle changes, which are important in leaning and diagnosing problems.

B. Precision Leaning: Again select the hottest EGT cylinder. This cylinder may be different than the one you started with. This is the cylinder on which you should perform your precision leaning. Again, start leaning, making only very small adjustments and waiting 3 to 5 seconds between adjustments. As you approach peak, the exhaust gas temperature will rise much slower until it starts to decrease. When this happens you have reached peak EGT. The 1°F resolution of the digital display will be invaluable in helping you precisely detect peak EGT.

C. Finding The Cylinder That Peaks First: For most engines Step B (Precision Leaning) will result in a properly leaned engine. If you find this to be the case with your engine, this step will not be necessary. But if you want to verify that you have leaned to the cylinder that peaked first and your engine is operating properly, perform the following with the cylinder found in step B at peak EGT: Slightly enrich the mixture and quickly step through each cylinder. Any cylinder that shows a rising temperature is a leaner cylinder. Check that this cylinder does not rise more than 15°F before it starts decreasing in temperature. If a cylinder rises more than 15°F it may have a problem.

2. EGT Diagnostics

Since the EGT is directly related to the combustion temperature, it is an indication of the engine's ability to produce power. If the engine is not producing the correct amount of power, the EGT instrument can be a very valuable troubleshooting tool as well an early warning system before engine failure occurs. With 1°F resolution, our digital EGT instruments will react to the slightest changes in the combustion process. To detect a problem, become familiar with your engine's normal EGT readings during run-up, climb, cruise and descent. Any difference from the norm can be a sign of trouble.

During normal operation the EGT will stabilize to 1°F for a given throttle and mixture setting. If it does not stabilize, this can also be the first sign of trouble. With rate and trend information

being displayed instantaneously and with temperatures being read to 1°F, few problems can escape the pilot flying one of Electronics International's analyzer systems.

It is not necessary to continually monitor the EGT's in order to detect a problem. Most problems worsen over a period of time and can be easily detected before they become a safety hazard by thoroughly checking the EGT readings at run-up and once or twice during a flight.

The following is a list of EGT/CHT symptoms and possible problems:

Symptom	Possible Problem
One EGT reads abnormally high. The corresponding CHT reads lower than normal.	— Burned valve or broken ring, defective plug, plug wire or mag.
One EGT reads abnormally high. The corresponding CHT reads higher than normal.	— Plugged injector, intake leak.
One EGT reads abnormally low.	— Over-sized injector, restricted exhaust, broken or leaky exhaust header.
High CHT's and/or high EGT's on all cylinders.	— Excessive leaning with power settings over 75%. Detonation due to bad fuel. Closed or restricted cowl flaps. Missing or loose baffling.
High EGT's and/or low CHT's on all channels.	— Timing problem or defective mag.
Jumpy readings on one channel.	— This is not an engine problem. Check all connections and the probe for proper operation. See Troubleshooting Section of this manual.

CHTs

1. Maximum CHT Operating Limit (Red Line)

Do not operate your engine above the Maximum Operating Temperature Limit indicated on the front of this instrument. Operating above CHT Red Line can destroy plugs, burn and warp valves, cause detonation or preignition (which can destroy engine components), cause extensive wear on bearing surfaces, cause loss of power, and much more. It is essential to operate your engine within its CHT operating limits. Electronics International's CHT instruments give you three mechanisms to detect an over-temperature limit (Red Line) condition.

A. The Large Digital Display gives you a fast and very accurate indication of your current temperature condition. This unit will display temperatures from ambient to 1999°F in 1°F increments. This also allows you to interpret rate and trend information at a glance.

B. This unit incorporates an Over-Temp Warning Light. This light will come on any time the CHT is above the Maximum Operating Temperature Limit indicated on the front of this unit. This light has the advantage of catching your attention without having to scan or interpret the display.

C. This unit also comes with an External Warning Control Line. This line can be connected to an external light in a control panel or mounted in front of the pilot. This control line will turn on the external light any time the CHT exceeds the Maximum Operating Temperature Limit indicated on the front of this unit.

2. Cautionary Temperature Range (Yellow Line)

Although operating your engine in this temperature range is approved, prolonged operation may cause excessive engine wear. The Cautionary Temperature Range extends from the “CAUTION” to “MAX. LIMIT” indicated on the front of this instrument.

3. CHT Operation

The Cylinder Head Temperature (CHT) instrument helps the pilot protect his engine against the threat of excessive heat. Most general aviation aircraft monitor the hottest CHT as determined by extensive flight tests done by the airframe manufacture. Minimum in-flight CHT should be 150°F, and maximum in most direct drive normally aspirated Avco Lycoming engines is 500°F. Some of the higher powered, more complex engines have a limit of 475°F. Although these are minimum and maximum limits, the pilot should operate the engine at more reasonable temperatures in order to achieve the expected overhaul life of the powerplant. It would be normal during all-year operations in climb and cruise to see cylinder head temperatures in the range of 350°F to 435°F.

Sudden cooling of the CHT (known as shock cooling) is a problem that is common with aircraft engines. This is caused by fast descents with little or no power and rich mixtures. This may result in bent pushrods due to exhaust valves sticking, burnt valves, spark plug fouling, broken piston rings, cracked cylinders at the spark plug and valve ports and warped exhaust valves. To avoid these problems, do not allow the CHT to cool more rapidly than 1°F every 3 seconds during in-flight operation. This can be easily detected with our 1°F digital display.

During climbs, the cylinder head temperatures will rise rapidly until the heat absorbed by the combustion walls is dissipated out the engine’s cooling fins. At this point, the CHT will stabilize. Any change in throttle, mixture, cowl or airspeed will affect the CHT and the rate at which it will change. Since rate and trend information can be easily interpreted from our digital display, changing any one of these parameters to stabilize, slow or reduce the CHT is possible with almost immediate results. Our digital instrument takes the guesswork out of controlling your CHT.

4. CHT Diagnostics

The source of heat in an engine is from the combustion of the fuel/air mixture producing temperatures of approximately 4000°F. Some of this heat energy goes into heating the cylinder heads through radiation and conduction. This heat is sinked away from the engine by the air flow over the cylinder heads. When the heat being generated in the cylinder heads equalizes with the heat being sinked away, the cylinder head temperature will stabilize. If a problem arises in the combustion chamber or in the ability of the cooling system to sink away heat, the CHTs will be affected. To detect a problem, become familiar with your engine's CHT operating temperatures during run-up, climb, cruise and descent. Any differences from normal can be a sign of trouble.

Continuous change in the CHT can also be a sign of trouble. Because of the large thermal mass of the engine, the CHT's change slowly after the initial climb. Any continuous change in one or all of the CHTs after this initial climb can be the sign of trouble. The rate and trend of this change can easily be detected with Electronics International's 1°F resolution digital display. This information allows the pilot to make changes in flight attitude or engine operation and see the effects almost instantaneously.

INSTALLATION INSTRUCTIONS

1. Important Information and Initial Check Out

A. The installer and aircraft owner must read the Warranty before starting the installation. There is information in the Warranty that may alter your decision to install this instrument. **If you do not accept the terms of the Warranty, do not install this instrument.**

B. If you are not an FAA Certified Aircraft Mechanic familiar with the issues of installing aircraft TIT, EGT, and/or CHT instruments, **Do Not attempt to install this instrument.** The installer should use current aircraft standards and practices to install this instrument (refer to AC 43.13).

C. Check that any necessary FAA Approvals (STC's, etc.) are available for your aircraft before starting the installation. STC's are located at the back of this manual.

D. Check that the limit information on this instrument matches the engine manufacturer's published limits for your engine. The airframe manufacturer, AD's and/or STC's may set forth additional limitations on the operation of your engine.

Do not attempt to remove or replace the limit stickers on this instrument. If the limits for your engine do not match those which are marked on this instrument send this unit back to Electronics International Inc. for re-calibration. **DO NOT install or use a primary engine instrument that is not properly calibrated for your aircraft.**

E. Read the entire Installation Instructions and resolve any issues you may have before starting the installation. This may eliminate any delays once the installation is started.

F. THIS INSTALLATION MAY REQUIRE SOME PARTS UNIQUE TO YOUR AIRCRAFT THAT ARE NOT SUPPLIED IN THE KIT. Acquire all the parts necessary to install this instrument before starting the installation.

G. Check that the instrument make and model are correct before starting the installation.

H. Before starting the installation make sure the unit will fit in the location you intend to install it without obstructing the operation of any controls.

I. If this instrument is to replace an existing unit in the aircraft, it is the installer's responsibility to move or replace any existing instruments or components in accordance with FAA approved methods and procedures. The following Installation Instructions do not cover moving or the removal of any existing instruments or components.

2. CHT Probe Installation

Most engines have a port just below the lower spark plug for the CHT probe. Replace your existing Primary CHT probe with one of Electronics International's CHT probes. It is important to install the same type of CHT probe as was removed from the engine. A bayonet and screw-in type probe may be interchanged. Your current CHT probe was installed in the hottest cylinder determined by extensive flight testing. If you suspect your current probe was not installed on the correct cylinder or the probe type is incorrect, contact your airframe service department for this information.

3. TIT Probe Installation

Electronics International offers a variety of TIT probes. The following describes the steps for installing each of these probes.

A. Hose Clamp EGT/TIT Probe - Remove the existing TIT probe and drill this hole out using a 13/64 inch drill bit. This will insure easy installation and removability of the probe. Insert the EGT probe and tighten the hose clamp. As the hose clamp is heated and cooled it will become loose as it conforms to the exhaust stack. After the first 10 hours of operation, retighten this clamp.

B. Screw-in TIT Probe - This probe has an adjustable depth so it can be adjusted for any application, but it can only be adjusted once. Once the ferrule has been compressed, the probe depth cannot be changed. Perform the following steps:

1. Remove your current TIT probe and check that your E.I. probe and compression fitting will fit and work properly. E.I. offers three screw-in TIT probes (1/8" NPT, 1/4" NPT and 7/16" - 20).
2. Determine the correct depth the probe sheath should extend beyond the compression fitting. Do this by checking it against your current TIT probe (1" is standard).
3. Set the compression fitting by tightening the cap into the body using a wrench.
4. Install your E.I. TIT probe into the exhaust stack and tighten.

4. EGT Probe Installation

Look at each exhaust stack and determine the best location at which all of the EGT probes can be mounted at the same distance down from the exhaust ports. The ideal location is 1 1/2", but ease of installation should prevail. Drill a 13/64" diameter hole in each exhaust stack. Insert the probe and tighten the hose clamp. As the hose clamp is heated and cooled, it will become loose as it conforms to the exhaust stack. After the first 10 hours of operation, each hose clamp should be retightened.

IMPORTANT NOTE: For Cessna 210's or any aircraft using a slip joint in the exhaust system, install the EGT probes ABOVE OR BELOW THE SLIP JOINT. Installing a EGT probe in the slip joint can damage the probe.

5. Route the Extension Cables

Mark both ends of each cable with the appropriate cylinder and/or probe type. Plug each probe into its associated extension cable. **Be sure the connectors mate properly.** When tie wrapping these cables down, be sure there is no strain or pulling on the cable against the probe housing. Each probe should have 3 to 4 inches of slack to allow the engine to move in its mount without breaking any wires. Also, there should be a tie wrap near the probe connectors. Dress each cable up to the instrument or remote switch keeping them away from any hot areas (exhaust stacks, cylinder heads, etc.).

We do not recommend removing the connectors when installing the extension cables but if you must shorten the cable, pull any excess cable length through the fire wall and cut it off at this time. However, it is recommended you leave some extra wire length under the instrument panel for later modifications. Varying cable lengths will **not** affect the accuracy of this instrument so cables of any length may be ordered from the factory. The Extension Cables and probe wires are made of type K thermocouple wire that must not be substituted or extended with regular copper wire. Also, it is important these wires not be kinked (i.e., **do not bend the wires on a radius less than 1 inch**).

Connect the Extension Cables using the OLC-1 connectors as described below:

- A. Strip back the insulation on the two mating wires 3/8". Be careful not to nick the wires.
- B. Place the hex driver (0.050") in the OLC-1 set screw and back out the set screw to the last thread.
- C. Inset the two wires into the ends of the connector so the wire insulation is just inside the nylon housing and the ends of the wires are not exposed on the opposite side.
- D. Tighten the set screw until the set screw stops turning and the hex driver starts to flex (4 to 5 in.-lbs.)
- E. Tug on the wires (1 to 2 lbs.) to insure proper connection.

Tie off any excess cable under the instrument panel. Be sure these cables do not obstruct the freedom of travel of any controls. Cable length does not affect the accuracy of our units, so cables of any length may be ordered from the factory.

6. Hook-Up Connecting Wires

Connect the red wire supplied in the kit to the 12 or 24 volt bus via a 1 amp fuse or circuit breaker (see the Wiring Diagram at the back of this manual). Connect the black wire supplied in the kit to ground. Connect the white/violet and/or white/gray wires as shown in the Instrument Wiring Diagram at the back of this manual.

Tie off any excess cable under the instrument panel. Be sure these cables do not obstruct the freedom of travel of any controls.

7. Connect and Install the Instrument and/or Remote Switch

Connect the extension cables and all other wires to the instrument and/or remote switch as shown in the appropriate wiring instructions at the back of this manual. **Be sure the connectors mate properly.** Install the unit from behind the instrument panel using 6 x 32 screws. These screws must not be longer than 0.4 inches. Install the remote switch through a 1" square hole cut into the aircraft instrument panel. Tie wrap cables as needed. Be sure these cables do not obstruct the freedom of travel of any controls.

Only the following configurations are approved when using a Primary Remote Switch with one of E.I.'s Primary Instruments:

A. TIT and EGTs - The TIT input must be connected to the channel marked "Primary" on the remote switch. The numbered channels should be connected to EGT inputs only. It is not allowed to mix the TIT display with any other function (i.e., CHT, Carb Temp, OAT, etc.) except EGT.

B. CHTs - The primary CHT input must be tee'd into the channel marked "Primary" and into the appropriate numbered channel on the remote switch. The rest of the CHT inputs should be connected to the appropriate numbered channels on the remote switch. It is not allowed to mix the CHT display with any other function (i.e., TIT, EGT, Carb Temp, OAT, etc.).

8. System Ground Test

A. Turn the master switch on and look for a near ambient temperature reading on each channel. If the instrument does not power-up (display a reading), check the power and ground leads (red and black leads) for an open, loose or poor connection.

If you suspect any channel is not receiving a signal remove the probe from the engine (leaving it connected to the Extension Cable) and apply a temperature to it. Look for an increase in reading on the display for that channel. Check the other channels for an increase in reading. You may

have connected the probe to the wrong Extension Cable. If the reading is decreasing, you may have reversed the connectors on the Extension Cable leads (the yellow wire on the probe must connect to the yellow wire on the Extension Cable).

B. Start the engine and check each channel for a proper reading. On the ground EGTs will read around 900°F and CHTs will read around 200°F. If you suspect any channel is not receiving a signal properly, see the “Troubleshooting” section of this manual.

TROUBLESHOOTING SUGGESTIONS

Because high reliability is designed into Electronics International’s equipment, there is no reason to put up with poor operation. We have few problems with our probes, cables and units and installation is simple. Usually fixing a problem is just a matter of inspecting the installation at a few key points.

Strategy

If you have more than one problem, **FIX ONE PROBLEM AT A TIME**. Trying to fix all of them at once can be confusing and misleading. In many cases fixing one problem first will lead you to the solution for fixing all of the problems. Therefore, take one problem on one channel and proceed with the following:

1. Instrument Check Out

If there is an identical symptom on each channel, then the instrument may have a problem. But if even one channel of the instrument is operating properly, the instrument probably does not have a problem. A good method to test the instrument is to remove all the Extension Cables. Then look for a reading on all channels to be near cabin temperature. The only inputs a unit requires to operate properly and measure cabin temperature is power (red lead) and ground (black lead). Check the power and ground leads for proper connection (pull on the wire at each connector).

NOTE: Few problems turn out to be the instrument.

2. Probe Check Out

There are two good methods of testing a probe. Perform one or both of the following:

A. A probe can be tested with an ohmmeter. Disconnect the probe from the Extension Cable. When testing the resistance between the connectors, the probe should measure a “short” (less than 5 ohms). When measuring from one lead (either lead) of the probe to the probe sheath (metal tip), there should be an “open” (10k or greater).

B. Another method of checking a probe is to plug the suspected bad probe into a channel that is working properly. If the problem follows the probe, you have a defective probe.

3. Extension Cable Check Out

With the Extension Cable connected to the unit, remove the probe from the suspected bad Extension Cable. Set the unit to the proper channel and look for a near cabin temperature reading on the display. A very high or low reading indicates a short to ground in the cable. Next, connect an ohmmeter, set to 10K range, to the open probe ends of the suspected bad Extension Cable. Set the unit to the proper channel and look for a very high (+ or -) reading on the digital display. A near cabin temperature reading or no change in reading indicates an open in the cable or its connectors. Also, look for a reading on the ohmmeter around 12K ohms. Most problems of this kind are usually one of the following:

A. Improper OLC-1 Connections: Pull on wires installed in the Over-Lap Connector to check the connection. You may have insulation in the overlap area. Remove the wires from the OLC-1 and inspect.

B. Broken Wire: A wire can be broken from a too-tight tie-wrap or by repeatedly flexing the wire. Inspect the wires for a break. Note: A wire can be broken while the insulation is still intact.

C. Cable Chafed to Ground: If a cable is routed around a metal object, it will over time chafe the wire and short to the object. Inspect the wires for chafing.

SPECIFICATIONS and OPERATING FEATURES

S0912941

9/12/94

Models: (Temperature Monitoring Instruments) C-1P, T-1P, E-1P, CC-1P, EE-1P, EC-1P, TT-1P, TC-1P.

Weight: C-1P, T-1P, E-1P - 7 oz. (unit only)
EE-1P, CC-1P, EC-1P, TC-1P - 11.2 oz. (unit only)
6' T.C. Cable - 2 oz. (20' T.C. Cable = 7 oz.)
TIT or CHT Probe - 1.6 oz.

Environmental: Meets TSO C43a

Power Requirements: 7.5 to 30 Volts, 1/10 Amp.

Display: LCD's (viewable in direct sunlight), with 12 and 24 volt backlight control wires.

Over-Temp Warning Light: This light comes on when the displayed temperature exceeds the Max. Limit marked on the front of the instrument. This light will flash during power-up.

External Warning Control Line: Grounds when the Over-Temp Warning Light is on. Current must be limited to 2/10 of an amp.

Display Temperature Range: 1999°F to -1999°F

Accuracy: 1/2% in accordance with TSO C43a.

Resolution: 1°F (with enhanced stability and response circuits).

Probes: Type K, Ungrounded (for improved accuracy, stability and reliability).

Extension Cables: Type K, any length or size (you may use your existing type K cables).

Models: (Remote Switches) RS-5-1P, RS-5-2P, RS-7-1P, RS-7-2P, RS-2-2

Weight: RS-2-2P, RS-5-1P, RS-5-2P RS-7-1P- 3.2 oz. (unit only)
RS-7-2P - 4.9 oz. (unit only)

Environmental: Meets TSO C43a

Contacts: Gold

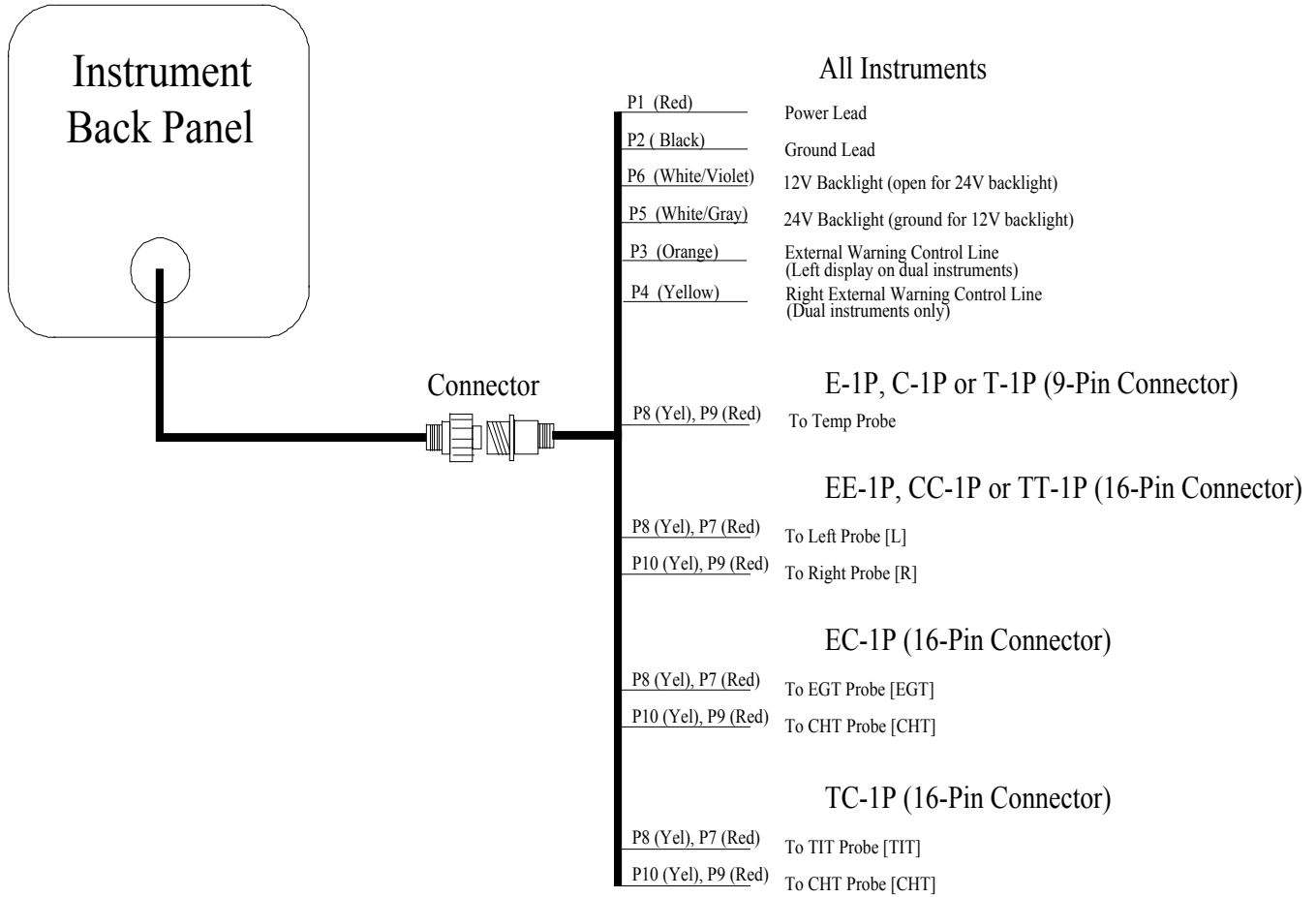
Contact Resistance: <50 milliohms

Angle of Throw: 30 degrees

Rotational Torque: 3.5 to 7.5 ounce-inches

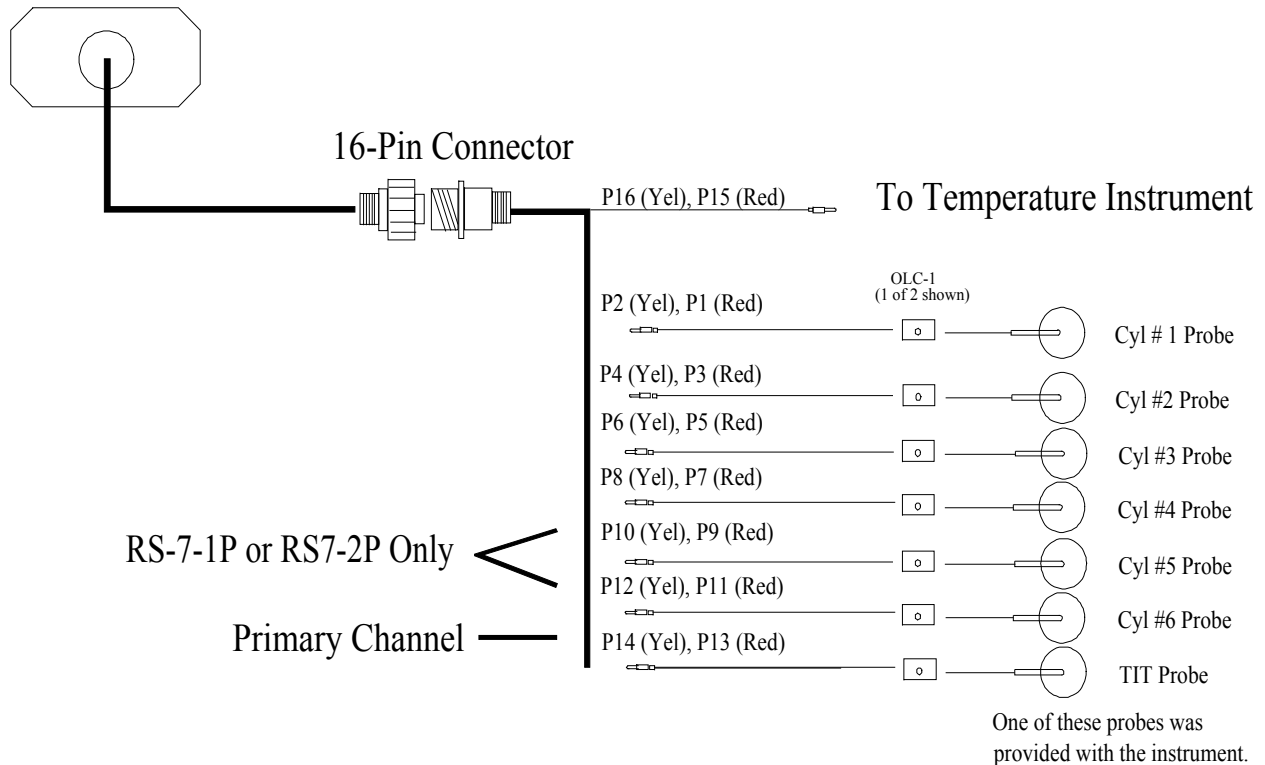
Instrument Wiring Diagram

1031122



Remote Switch Connected to a Primary TIT Channel

This configuration allows a primary TIT instrument to monitor one TIT and all the EGT's for a four or six cylinder engine.



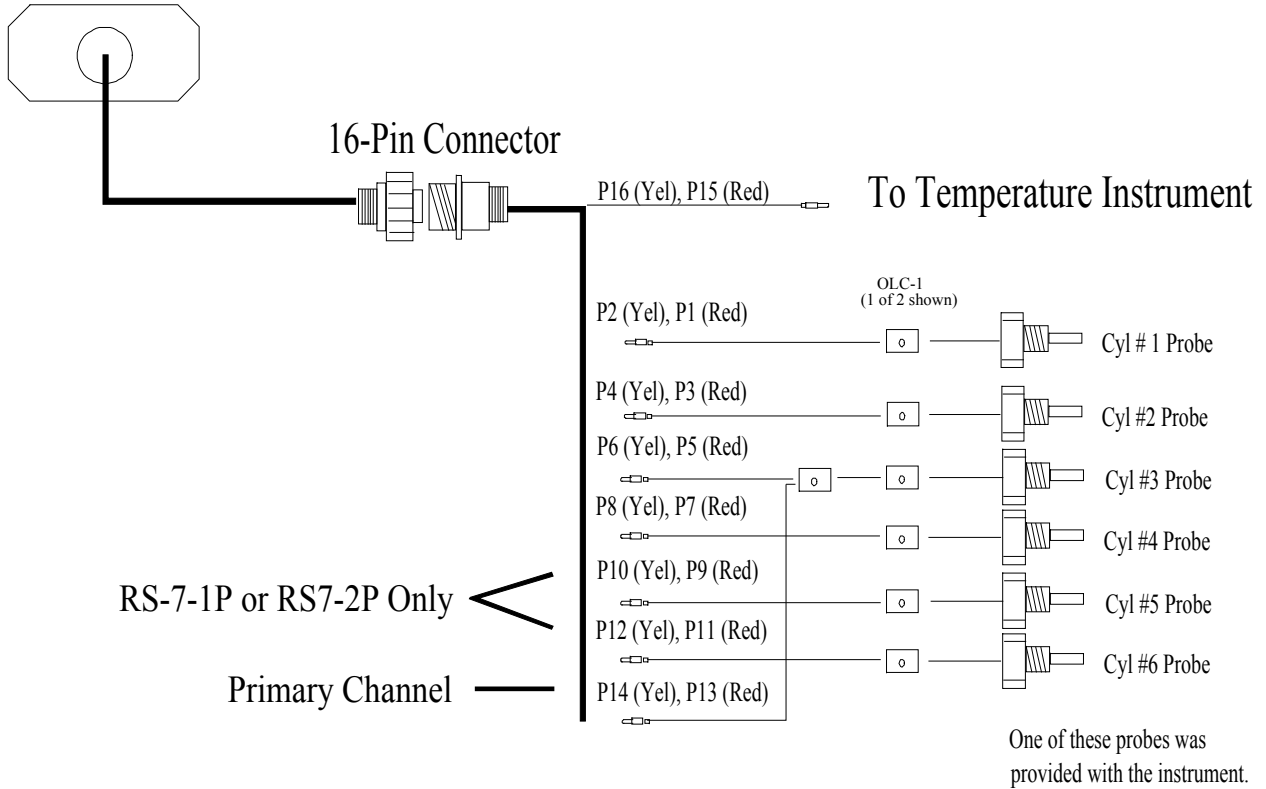
RS-5-2P and RS-7-2P Only

On the back of the RS-5-2P and RS-7-2P there are two groups of the above wires. When one of these switches is used with an Electronics International Dual Display Instrument they can simultaneously select the following:

1. Right and Left TIT and EGT's for a twin engine aircraft.
2. Right and Left CHT's for a twin engine aircraft.
3. TIT, EGT's and CHT's for a single engine aircraft.

Remote Switch Connected to a Primary CHT Channel

This configuration allows a primary CHT instrument to monitor all the CHT's for a four or six cylinder engine. This diagram shows cylinder #3 as the primary CHT. **Your installation should use the primary CHT cylinder for your aircraft.**



RS-5-2P and RS-7-2P Only

On the back of the RS-5-2P and RS-7-2P there are two groups of the above wires. When these switches are used with one of Electronics International's Dual Display Instruments they can simultaneously select the following:

1. Right and Left TIT and EGT's for a twin engine aircraft.
2. Right and Left CHT's for a twin engine aircraft.
3. TIT, EGT's and CHT's for a single engine aircraft.

United States of America
Department of Transportation — Federal Aviation Administration
Supplemental Type Certificate

Number SA3862NM

This certificate, issued to Electronics International, Inc.

certifies that the change in the type design for the following product with the limitations and conditions therefor as specified hereon meets the airworthiness requirements of Part _____ of the Civil Air Regulations.

Original Product — Type Certificate Number: * * * * *
Make: * * * * *
Model: * * * * *

*See Attached Approved Model List (AML) No. SA3862NM, for list of approved airplane models and applicable airworthiness regulations.

Description of Type Design Change:

Installation of Electronics International, Inc. Primary TIT/EGT/CHT instruments, remote switches and associated accessories in accordance with Electronics International, Inc. Installation Instructions No. II 110361 (Rev. A) and II 111361 respectively, or later FAA Approved Revisions. These instruments are applicable to reciprocating engines only.

NOTE: These will replace the existing TIT/EGT/CHT analog gauges.
(continued on Page 3)

Limitations and Conditions: Approval of this change in type design applies to the aircraft models listed in the AML only. This approval should not be extended to aircraft of this models on which other previously approved modifications are incorporated unless it is determined that the relationship between this change and any of those other previously approved modifications, including changes in type design, will introduce no adverse effect upon the airworthiness of that aircraft. A copy of this Certificate, AML SA3862NM, and Electronics International Inc. Instructions No. II 121161 shall be maintained as part of the permanent records for the modified aircraft.

This certificate and the supporting data which is the basis for approval shall remain in effect until surrendered, suspended, revoked, or a termination date is otherwise established by the Administrator of the Federal Aviation Administration.

Date of application: February 25., 1988

Date reissued:

Date of issuance: April 6, 1988

Date amended: April 25, 1988



By direction of the Administrator

[Handwritten Signature]

(Signature)

Assistant Manager, Seattle
Aircraft Certification Office

(Title)

Any alteration of this certificate is punishable by a fine of not exceeding \$1,000, or imprisonment not exceeding 3 years, or both.

United States of America
Department of Transportation—Federal Aviation Administration
Supplemental Type Certificate
(Continuation Sheet)

Number SA3862NM

DESCRIPTION OF TYPE DESIGN CHANGE: (Continued)

A.	<u>INSTRUMENTS</u>	<u>TECHNICAL DATA REPORT</u>
(1)	C-1P (), CHT W/Light	TD 111063
(2)	T-1P (), TIT W/Light	TD 111063
(3)	E-1P (), EGT W/Light	TD 111063
(4)	CC-1P (), Dual CHT W/Light	TD 111062
(5)	TT-1P (), Dual TIT W/Light	TD 111062
(6)	EE-1P (), Dual EGT W/Light	TD 111062
(7)	EC-1P (), Dual EGT W/Light	TD 111062
(8)	TC-1P (), Dual TIT/CHT W/Light	TD 111062

B.	<u>REMOTE SWITCH</u>	<u>TECHNICAL DATA REPORT</u>
(1)	RS-1P, 5 Channel 1 Deck	TD 121061
(2)	RS-2P, 5 Channel 2 Decks	TD 121061
(3)	RS-1P, 7 Channel 1 Deck	TD 121061
(4)	RS-2P, 7 Channel 2 Decks	TD 121061
(5)	RS-2-2, 2 Channel 2 Decks	TD 121061

- END -

Any alteration of this certificate is punishable by a fine of not exceeding \$1,000, or imprisonment not exceeding 3 years, or both.

FAA APPROVED

ELECTRONICS INTERNATIONAL, INC.

APPROVED MODEL LIST (AML) SA3862NM

FOR

INSTALLATION OF ELECTRONICS INTERNATIONAL DIGITAL TIT/EGT/CHT INSTRUMENTS AND ACCESSORIES

Issue Date: July 24, 1987

ITEM	AIRCRAFT MAKE	AIRCRAFT MODEL	ORIGINAL TYPE CERTIFICATE NUMBER	CERTIFICATION BASIS FOR ALTERATION	FAA SEALED DRAWING/ DRAWING LIST		AFM SUPPLEMENT NUMBER/DATE	AML AMENDMENT DATE
					NUMBER	REVISION NO. AND DATE		
1.	Aerocar	I	4A16	CAR 3	TD121161	12/11/86		
2.	Aeronca Inc.	C-2 Series C-3 Series K & 50 Series L Series 15 Series	ATC 351 A 396 688, 676 ATC 596 & 614 A802	ATC 351 Aero Bul. 7-A 688, 676 ATC 596 & 614 CAR 3	" " " " "	" " " " "		
3.	Aircraft Associates Inc.	J-2	ATC 620	ATC 620	"	"		
4.	Arctic Air- craft Company	S-1A Series S-1B Series	A737 A754	CAR 4a CAR 4a	" " "	" " "		
5.	Ayres Corp.	S2R Series	A3SW, A4SW	CAR 3 CAR 8	" "	" "		

FAA APPROVED

ELECTRONICS INTERNATIONAL, INC.

APPROVED MODEL LIST (AML) SA3862NM

FOR

INSTALLATION OF ELECTRONICS INTERNATIONAL DIGITAL TIT/EGT/CHT INSTRUMENTS AND ACCESSORIES

Issue Date: July 24, 1987

ITEM	AIRCRAFT MAKE	AIRCRAFT MODEL	ORIGINAL TYPE CERTIFICATE NUMBER	CERTIFICATION BASIS FOR ALTERATION	FAA SEALED DRAWING/ DRAWING LIST		AFM SUPPLEMENT NUMBER/DATE	AML AMENDMENT DATE
					NUMBER	REVISION NO. AND DATE		
6.	Air Tractor Inc.	AT-300, -300, -302, -400	A9SW	FAR 21.25(a)(1)	TD121161	12/11/86		4/25/88
7.	Ballauer	Funk Series Series	2-564	CAR 04.031	"	"		
8.	Beech Aircraft Corp.	18 Series	A-757, -765	CAR 4a CAR 03	"	"		
		19, 23, 24 Series	A1CE	CAR Part 3	"	"		
		33, 35, 36 Series	3A15	CAR Part 3	"	"		
		45 Series	5A3	CAR Part 03	"	"		
		50 Series	5A4	CAR Part 3	"	"		
		60 Series	A12CE	FAR Part 23	"	"		
		65 Series			"	"		
		76 Series	A29CE	Part 23	"	"		
		77 Series	A30CE	Part 23	"	"		
		95, 55, 56 Series	3A16	CAR Part 3	"	"		

NOTE: AMENDED ITEM #8 TO REMOVE BEECH 90, F90, 99, 100, & 200 SERIES AIRCRAFT ON APRIL 25, 1988.

FAA APPROVED

ELECTRONICS INTERNATIONAL, INC.

APPROVED MODEL LIST (AML) SA3862NM

FOR

INSTALLATION OF ELECTRONICS INTERNATIONAL DIGITAL TIT/EGT/CHT INSTRUMENTS AND ACCESSORIES

Issue Date: July 24, 1987

ITEM	AIRCRAFT MAKE	AIRCRAFT MODEL	ORIGINAL TYPE CERTIFICATE NUMBER	CERTIFICATION BASIS FOR ALTERATION	FAA SEALED DRAWING/ DRAWING LIST		AFM SUPPLEMENT NUMBER/DATE	AML AMENDMENT DATE
					NUMBER	REVISION NO. AND DATE		
9.	Bell Heli- copter Textron	47 Series	H-1, 2H3, 2H1	CAR 6	TD121161	12/11/86		
10.	Bellanca Aircraft Corp.	7 Series	A-759	CAR Part 4a	"	"		
		11 Series	A-761,	CAR 4a	"	"		
		14, 17 Series	A-18CE	FAR Part 23	"	"		
		8 Series	A-21CE	FAR Part 23	"	"		
		300 Series	ATC328	ATC328	"	"		
		400 Series	ATC319	ATC319	"	"		
	British Aerospace	Twin Pioneer Series 2 & 3	7A7	CAR 10	"	"		
		Beagle B206 Series 1 & 2	A11EU	FAR 21.29 (CAR 3)	"	"		
	Beagle B121 Series 1, 2 & 3	A22EU	FAR 21.29 (FAR 23)	"	"			
12.	Cessna Aircraft	120, 140 Series	A768, 5A2	CAR 4a CAR 3 (CAR 4a)	" "	" "		

FAA APPROVED

ELECTRONICS INTERNATIONAL, INC.

APPROVED MODEL LIST (AML) SA3862NM

FOR

INSTALLATION OF ELECTRONICS INTERNATIONAL DIGITAL TIT/EGT/CHT INSTRUMENTS AND ACCESSORIES

Issue Date: July 24, 1987

ITEM	AIRCRAFT MAKE	AIRCRAFT MODEL	ORIGINAL TYPE CERTIFICATE NUMBER	CERTIFICATION BASIS FOR ALTERATION	FAA SEALED DRAWING/ DRAWING LIST		AFM SUPPLEMENT NUMBER/DATE	AML AMENDMENT DATE
					NUMBER	REVISION NO. AND DATE		
12.	Cessna Aircraft (Cont.)	150, 152 Series	3A19	CAR Part 3	TD121161	12/11/86		
		170 Series	A799	CAR Part 03	"	"		
		172, 175 Series	3A12, 3A17	CAR Part 3	"	"		
		177 Series	A13CE, A20CE	FAR Part 23	"	"		
		180 Series	5A6	CAR Part 3	"	"		
		182, 185 Series	3A13, 3A24	CAR Part 3	"	"		
		188 Series	A9CE	FAR Part 21	"	"		
		190 Series	A-790	CAR Part 3	"	"		
		207 Series	A16CE	FAR Part 23	"	"		
		210 Series	3A21	CAR Part 3	"	"		
		303, 305 Series	5A5, 3A14	CAR Part 3	"	"		
		310 Series	3A10	CAR 3	"	"		
		320, 335, 340 Series	3A25	CAR Part 3	"	"		

FAA APPROVED

ELECTRONICS INTERNATIONAL, INC.

APPROVED MODEL LIST (AML) SA3862NM

FOR

INSTALLATION OF ELECTRONICS INTERNATIONAL DIGITAL TIT/EGT/CHT INSTRUMENTS AND ACCESSORIES

Issue Date: July 24, 1987

ITEM	AIRCRAFT MAKE	AIRCRAFT MODEL	ORIGINAL TYPE CERTIFICATE NUMBER	CERTIFICATION BASIS FOR ALTERATION	FAA SEALED DRAWING/ DRAWING LIST		AFM SUPPLEMENT NUMBER/DATE	AML AMENDMENT DATE
					NUMBER	REVISION NO. AND DATE		
12.	Cessna Aircraft (Cont.)	336	A2CE	CAR 3	TD121161	12/11/86		
		337	A6CE	CAR Part 3	"	"		
		401, 402, 411, 414, 421	A7CE	CAR Part 3	"	"		
		425 Series						
		404	A25CE	FAR Part 23	"	"		
		206 Series	A4CE	CAR Part 3	"	"		
13.	Child Doyle F.	S-1, S-2 Series (Pitts)	A8S0	FAR 21 (FAR 23)	"	"		
14.	Consolidated Aeronautics	Colonial C. Series, Lake LA Series	1A13	CAR 03	"	"		
15.	Enstrom Helicopter	F Series, 280 Series	HICE	CAR Part 6	"	"		
16.	Great Lakes	2T Series	ATC-167	ATC-167	"	"		
			2-3339	2-3339	"	"		
			ATC228	ATC228	"	"		

FAA APPROVED

ELECTRONICS INTERNATIONAL, INC.

APPROVED MODEL LIST (AML) SA3862NM

FOR

INSTALLATION OF ELECTRONICS INTERNATIONAL DIGITAL TIT/EGT/CHT INSTRUMENTS AND ACCESSORIES

Issue Date: July 24, 1987

ITEM	AIRCRAFT MAKE	AIRCRAFT MODEL	ORIGINAL TYPE CERTIFICATE NUMBER	CERTIFICATION BASIS FOR ALTERATION	FAA SEALED DRAWING/ DRAWING LIST		AFM SUPPLEMENT NUMBER/DATE	AML AMENDMENT DATE
					NUMBER	REVISION NO. AND DATE		
16.	Great Lakes (Cont.)	2 T Series	ATC354 A18EA	ATC354 FAR Part 23	TD121161 "	12/11/86 "		
17.	Gulfstream American (Commander Division)	Grumman: G-164 Series G Series AA Series GA Series 500 Series	1A16 1A17, A12EA A11EA, A16EA A17SO 6A1	CAR 8.10(a)(1) CAR 4b FAR 23 FAR 23 CAR 3	" " " " " "	" " " " " "		
18.	Hiller Aviation Helicopter	UH-12 Series	6H1, 6H2, 4H10, 4H11, H1WE	CAR 6	"	"		
19.	Hughes Helicopters	300 Series 269 Series	4H12	CAR Part 6	"	"		

FAA APPROVED

ELECTRONICS INTERNATIONAL, INC.

APPROVED MODEL LIST (AML) SA3862NM

FOR

INSTALLATION OF ELECTRONICS INTERNATIONAL DIGITAL TIT/EGT/CHT INSTRUMENTS AND ACCESSORIES

Issue Date: July 24, 1987

ITEM	AIRCRAFT MAKE	AIRCRAFT MODEL	ORIGINAL TYPE CERTIFICATE NUMBER	CERTIFICATION BASIS FOR ALTERATION	FAA SEALED DRAWING/ DRAWING LIST		AFM SUPPLEMENT NUMBER/DATE	AML AMENDMENT DATE
					NUMBER	REVISION NO. AND DATE		
20.	Hynes	H-2, H-4 Series	2H2	CAR Part 6	TD121161	12/11/86		
21.	Maule Air- craft Corp.	M Series	2A23	CAR Part 3	"	"		
22.	Mooney	M20 Series	2A3	CAR 3	"	"		
23.	North American Aviation	AT-6 Series	A-2-575	CAR 4a	"	"		
24.	Partenavia Costruzioni Aeronautiche	P6B Series	A31EU	FAR 21.29 (FAR 23)	" "	" "		
25.	Pilatus Britten- Norman	BN Series	A17EU	FAR 21.29, FAR 23	"	"		
26.	Piper Air- craft Corp.	J2 Series J3 Series	ATC595 ATC660,	ATC595 ATC660	" "	" "		

FAA APPROVED

ELECTRONICS INTERNATIONAL, INC.

APPROVED MODEL LIST (AML) SA3862NM

FOR

INSTALLATION OF ELECTRONICS INTERNATIONAL DIGITAL TIT/EGT/CHT INSTRUMENTS AND ACCESSORIES

Issue Date: July 24, 1987

ITEM	AIRCRAFT MAKE	AIRCRAFT MODEL	ORIGINAL TYPE CERTIFICATE NUMBER	CERTIFICATION BASIS FOR ALTERATION	FAA SEALED DRAWING/ DRAWING LIST		AFM SUPPLEMENT NUMBER/DATE	AML AMENDMENT DATE
					NUMBER	REVISION NO. AND DATE		
26.	Piper Air- craft Corp. (Cont.)	J3 Series	A-691,	CAR 4a	TD121161	12/11/86		
			A-692,	CAR 4a	"	"		
			A698, 695	CAR 4a 695	"	"		
		J4 Series	A-703, 708,	CAR 4a 708	"	"		
			A-740, 721	CAR 4a	"	"		
		J5 Series	A-703,	CAR 4a	"	"		
		PA12 Series	A-780	CAR 3	"	"		
		PA14 Series	A-797	CAR 3	"	"		
		PA15 Series	A-800	CAR 3	"	"		
		PA16 Series	1A1	CAR 3	"	"		
		PA17 Series	A-805	CAR 3	"	"		
		PA18 Series	1A2,	CAR 3	"	"		
			AR-7	CAR 8.10(b)	"	"		
		PA20 Series	1A4	CAR 3	"	"		
		PA22 Series	1A6	CAR 3	"	"		
		PA23 Series	1A10	CAR 3	"	"		
		PA24 Series	1A15	CAR 3	"	"		
PA25 Series	2A8,	CAR 3	"	"				
	2A10	CAR 8.10(b)	"	"				

FAA APPROVED

ELECTRONICS INTERNATIONAL, INC.

APPROVED MODEL LIST (AML) SA3862NM

FOR

INSTALLATION OF ELECTRONICS INTERNATIONAL DIGITAL TIT/EGT/CHT INSTRUMENTS AND ACCESSORIES

Issue Date: July 24, 1987

ITEM	AIRCRAFT MAKE	AIRCRAFT MODEL	ORIGINAL TYPE CERTIFICATE NUMBER	CERTIFICATION BASIS FOR ALTERATION	FAA SEALED DRAWING/ DRAWING LIST		AFM SUPPLEMENT NUMBER/DATE	AML AMENDMENT DATE	
					NUMBER	REVISION NO. AND DATE			
26.	Piper Aircraft Corp. (Cont.)	PA30, 39, 40 Series	A1EA	CAR 3 (FAR 23)	TD121161	12/11/86			
		PA31 Series (Except Turboprop)	A20SO	CAR 3 (FAR 23)	"	"		4/25/88	
		PA36 Series	A9SO	FAR 23	"	"			
			A10SO	FAR 21	"	"			
		PA38 Series	A18SO	FAR 23	"	"			
		PA28 Series	2A13	CAR 3	"	"			
		PA32 Series	A3SO	CAR 3	"	"			
		PA34 Series	A7SO	FAR 23	"	"			
		PA44 Series	A19SO	FAR 23	"	"			
		PA46 Series	A25SO	FAR 23	"	"			
		Piper Aircraft Corp. (Aerostar)	PA-60-600	A17WE	FAR 23	"	"		
			PA-60-601	A17WE	FAR 23	"	"		
			PA-60-601P	A17WE	FAR 23	"	"		
			PA-60-602P	A17WE	FAR 23	"	"		
			PA-60-700P	A17WE	FAR 23	"	"		
27.	Prop-Jets Inc. (Aero Commander)	200 Series	3A18	CAR 3	"	"			
				CAR 3	"	"			
				CAR 3	"	"			

NOTE: UNDER ITEM 26, PIPER MODEL PA-31 TYPE CERTIFICATE NUMBER WAS CHANGED FROM A8EA TO A20SO.

FAA APPROVED

ELECTRONICS INTERNATIONAL, INC.

APPROVED MODEL LIST (AML) SA3862NM

FOR

INSTALLATION OF ELECTRONICS INTERNATIONAL DIGITAL TIT/EGT/CHT INSTRUMENTS AND ACCESSORIES

Issue Date: July 24, 1987

ITEM	AIRCRAFT MAKE	AIRCRAFT MODEL	ORIGINAL TYPE CERTIFICATE NUMBER	CERTIFICATION BASIS FOR ALTERATION	FAA SEALED DRAWING/ DRAWING LIST		AFM SUPPLEMENT NUMBER/DATE	AML AMENDMENT DATE
					NUMBER	REVISION NO. AND DATE		
28.	Reims Aviation (Cessna)	172 Series	A4EU,	CAR 10	TD121161	12/11/86		
		150 Series	A18EU	FAR 21.29(CAR 3)	"	"		
		182 Series	A13EU	FAR 21.29R 23)	"	"		
		337 Series	A42EU	CAR Part 3	"	"		
		177 Series	A23EU	FAR 21.29(FAR 23)	"	"		
			A26EU	FAR Part 23	"	"		
29.	Robinson Helicopter	R 22	H10WE	FAR 27	"	"		
30.	Rockwell Inter- national	111 Series, 112 Series 114 Series	A12S0	FAR 23(FAR 36)	"	"		
31.	Rust, Robert E. (Chipmunk)	21, 22 Series	A44EU	FAR 21.29	"	"		
32.	Stearman Aircraft	C3 Series	ATC55,	ATC55	"	"		
			2-159	2-159	"	"		
			2-445	2-445	"	"		
			ATC251	ATC251	"	"		

FAA APPROVED

ELECTRONICS INTERNATIONAL, INC.

APPROVED MODEL LIST (AML) SA3862MM

FOR

INSTALLATION OF ELECTRONICS INTERNATIONAL DIGITAL TIT/EGT/CHT INSTRUMENTS AND ACCESSORIES

Issue Date: July 24, 1987

ITEM	AIRCRAFT MAKE	AIRCRAFT MODEL	ORIGINAL TYPE CERTIFICATE NUMBER	CERTIFICATION BASIS FOR ALTERATION	FAA SEALED DRAWING/ DRAWING LIST		AFM SUPPLEMENT NUMBER/DATE	AML AMENDMENT DATE
					NUMBER	REVISION NO. AND DATE		
32.	Stearman Aircraft (Cont.)	4 Series	2-155	2-155	TD121161	12/11/86		
			ATC-305	ATC-305	"	"		
		ATC292	ATC292	"	"			
		6 Series	ATC459	ATC459	"	"		
33.	Stinson	SM Series	ATC16	ATC16	"	"		
			ATC136	ATC136	"	"		
			ATC48	ATC48	"	"		
			ATC145	ATC145	"	"		
			ATC161	ATC161	"	"		
			ATC194	ATC194	"	"		
			ATC298	ATC298	"	"		
		SR Series	ATC519	ATC519	"	"		
			ATC530	ATC530	"	"		
			ATC580	ATC580	"	"		
			ATC594	ATC594	"	"		
			ATC608	ATC608	"	"		
			ATC609	ATC609	"	"		
			ATC621	ATC621	"	"		
			ATC625	ATC625	"	"		
ATC640	ATC640	"	"					

FAA APPROVED

ELECTRONICS INTERNATIONAL, INC.

APPROVED MODEL LIST (AML) SA3862NM

FOR

INSTALLATION OF ELECTRONICS INTERNATIONAL DIGITAL TIT/EGT/CHT INSTRUMENTS AND ACCESSORIES

Issue Date: July 24, 1987

ITEM	AIRCRAFT MAKE	AIRCRAFT MODEL	ORIGINAL TYPE CERTIFICATE NUMBER	CERTIFICATION BASIS FOR ALTERATION	FAA SEALED DRAWING/DRAWING LIST		AFM SUPPLEMENT NUMBER/DATE	AML AMENDMENT DATE
					NUMBER	REVISION NO. AND DATE		
34.	Taylor-craft Aviation	BC & BCS Series	A-696	CAR Part 04	TD121161	12/11/86		
		19 & F21 Series	1A9	CAR Part 3	"	"		
		DC Series	A746	CAR 4a	"	"		
		BF Series	A-699	A-699	"	"		
		BL Series	A-700	A-700	"	"		
35.	Thompson, Jimmie, Enterprise (Navion)	A through H Series	A-7825	CAR 3	"	"		
36.	Varga Aircraft Corp.	2150 Series	4A19	CAR 3	"	"		
37.	Waco Aircraft	A Series	ATC26,	ATC26,	"	"		
			644,	644,	"	"		
			677,	677,21	"	"		
			598,	598,	"	"		
			714,	714,	"	"		
ATC41	ATC41	"	"					

FAA APPROVED

ELECTRONICS INTERNATIONAL, INC.

APPROVED MODEL LIST (AML) SA3862NM

FOR

INSTALLATION OF ELECTRONICS INTERNATIONAL DIGITAL TIT/EGT/CHT INSTRUMENTS AND ACCESSORIES

Issue Date: July 24, 1987

ITEM	AIRCRAFT MAKE	AIRCRAFT MODEL	ORIGINAL TYPE CERTIFICATE NUMBER	CERTIFICATION BASIS FOR ALTERATION	FAA SEALED DRAWING/ DRAWING LIST		AFM SUPPLEMENT NUMBER/DATE	AML AMENDMENT DATE
					NUMBER	REVISION NO. AND DATE		
37.	Waco Aircraft (Cont.)	A Series	ATC123	ATC123	TD121161	12/11/86		
		B & C (Cont.)	ATC168,	ATC168	"	"		
		Series	ATC538	ATC538	"	"		
		U, Y, Z	ATC542	ATC542	"	"		
		Series	ATC627	ATC627	"	"		
38.	Weatherly Aviation	201 Series	A10WE	FAR 21.25(a) (CAMB)	"	"		
		620 Series	A26WE	FAR 21.25(a)	"	"		
39.	Helio Air- craft Ltd.	H-250	1A8	CAR 3	"	"		
		H-295		CAR 3	"	"		
		HT-295	HT-295	CAR 3	"	"		
		H-391	H-391	CAR 3	"	"		
		H-391B		CAR 3	"	"		
		H-395		CAR 3	"	"		
		H-395A		CAR 3	"	"		
500	A2EA	CAR 3	"	"				
40.	Univair Aircraft Corp.	108	A-767	CAR 3	"	"		

FAA APPROVED

ELECTRONICS INTERNATIONAL, INC.

APPROVED MODEL LIST (AML) SA3862MM


FOR

INSTALLATION OF ELECTRONICS INTERNATIONAL DIGITAL TIT/EGT/CHT INSTRUMENTS AND ACCESSORIES

Issue Date: July 24, 1987

ITEM	AIRCRAFT MAKE	AIRCRAFT MODEL	ORIGINAL TYPE CERTIFICATE NUMBER	CERTIFICATION BASIS FOR ALTERATION	FAA SEALED DRAWING/DRAWING LIST		AFM SUPPLEMENT NUMBER/DATE	AML AMENDMENT DATE
					NUMBER	REVISION NO. AND DATE		
40.	Univair Aircraft Corp. (Cont.) (Stinson) (Erco)	108 Series(Cont.)	A-767	CAR 3	TD121161	12/11/86		
	(Forney)	G	A-767	CAR 3	"	"		
	(Forney)	F-1	A-767	CAR 3	"	"		
	(Erco)	F-1A	A-767	CAR 3	"	"		
	(Erco)	E	A-767	CAR 3	"	"		
	(Alon)	415-D	A-767	CAR 3	"	"		
	(Alon)	A-2	A-767	CAR 3	"	"		
	(Alon)	A2-A	A-767	CAR 3	"	"		
	(Mooney)	M10	A-767	CAR 3	"	"		

FAA Approved:


Assistant Manager, Seattle
Aircraft Certification Office

Date: April 25, 1988